

KDS-NPX1233-R1

12V 33AH AGM BATTERY



COMPONENT
Raw Material

POSITIVE PLATE
Lead Dioxide

NEGATIVE PLATE
Lead

CONTAINER
ABS

COVER
ABS

SAFETY VALVE
Rubber

TERMINAL
Copper/ Plug

SEPARATOR
Fiberglass

ELECTROLYTE
Sulfuric acid

Features

- Oxygen recombination technology means the battery is maintenance free and no water adding required
- Not restricted for air transportation as KDS Battery complies with IATA/ ICAO special provision A67
- Raw material used in KDS battery is of CE and UL (MH49077) standards
- Computer designed lead-calcium tin plate grid alloy provides high power density and less gassing
- ABS case (optional for thus Fire Retardant case)
- Sealed valve regulated thus allowing installation horizontally or vertically
- Spill/ leak proof and vibration resistant
- Long service life for float or cyclic applications
- Design life 10 years

Applications

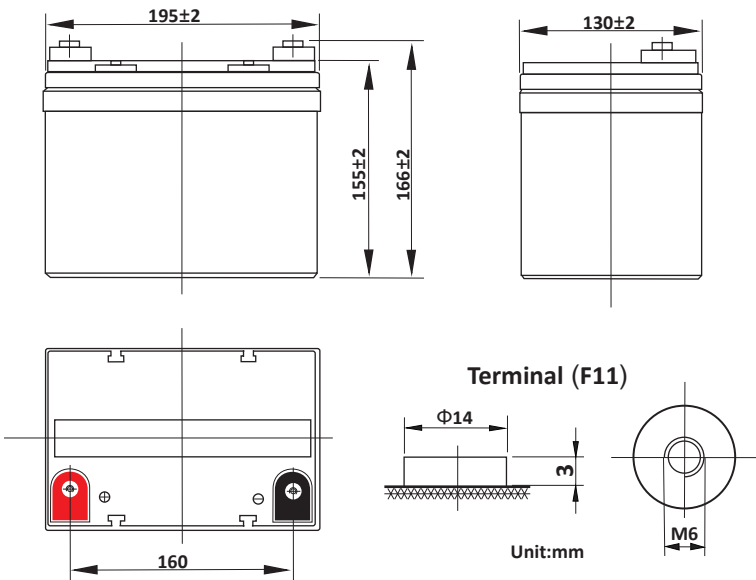
- Uninterruptible Power Supply (UPS)
- Electric Power System (EPS)
- Emergency Light
- Emergency Backup Power Supply
- Auto Control System
- Aircraft Signal
- Alarm and Security System
- Electronic Apparatus and Equipment
- DC Power Supply
- Communication Power Supply
- Network Communication

KDS-NPX1233-R1

Performance Characteristics

Nominal Voltage	12V			
Number of Cell	6			
Nominal Capacity (77°F / 25°C)	20 hour rate (1.75A, 10.8V)	10 hour rate (3.30A, 10.8V)	5 hour rate (5.61A, 10.8V)	1 hour rate (18.15A, 10.5V)
	35.0Ah	33.0Ah	28.1Ah	18.2Ah
Internal Resistance	Fully Charged Battery (77°F / 25°C)			
	10.5mΩ			
Capacity Affected by Temperature (10 hour rate)	104°F (40°C)	77°F (25°C)	32°F (0°C)	5°F (-15°C)
	102%	100%	85%	65%
Self-Discharge 68°F (20°C)	Capacity after 3 month storage	Capacity after 6 month storage		Capacity after 12 month storage
	90%	80%		60%
Max. discharge current (77°F / 25°C)	330A (5s)			
Charge Methods: Constant Voltage Charge (77°F / 25°C)	Cycle Use	Max.Current		Standby Use
	14.4V - 14.7V	8.25A		13.6V - 13.8V
Dimension	SI units		English units	
	195x130x155mm (L x W x H) Total Height 166mm		7.68x5.12x6.10inch (L x W x H) Total Height 6.54inch	
Weight	9.6kg		22.5lbs	

Dimension



Temperature

Constant Current Discharge (Amperes at 77°F / 25°C)

V/cell	5min	10min	15min	30min	1h	3h	5h	10h	20h
1.60	112.2	92.6	57.7	33.0	19.1	8.76	5.92	3.44	1.80
1.65	109.0	81.3	56.4	32.4	18.8	8.62	5.85	3.42	1.79
1.70	106.6	69.0	55.1	31.6	18.5	8.56	5.81	3.40	1.78
1.75	101.6	64.7	54.2	30.9	18.2	8.39	5.71	3.35	1.77
1.80	95.4	59.8	53.2	30.3	17.9	8.25	5.61	3.30	1.75

Constant Current Discharge (Watts/ Cell at 77°F / 25°C)

V/cell	5min	10min	15min	30min	1h	3h	5h	10h	20h
1.60	199.1	131.8	105.8	60.7	35.4	16.50	11.28	6.72	3.51
1.65	195.0	129.0	104.3	59.4	35.0	16.38	11.21	6.71	3.51
1.70	191.0	126.4	102.0	58.6	34.5	16.27	11.12	6.70	3.51
1.75	183.8	119.7	101.1	57.9	34.2	16.09	11.02	6.65	3.51
1.80	174.1	111.5	100.2	57.4	33.9	15.95	10.96	6.60	3.50

Note: The above characteristics data are average values obtained within three charge/ discharge cycles not the minimum values

KDS-NPX1233-R1

